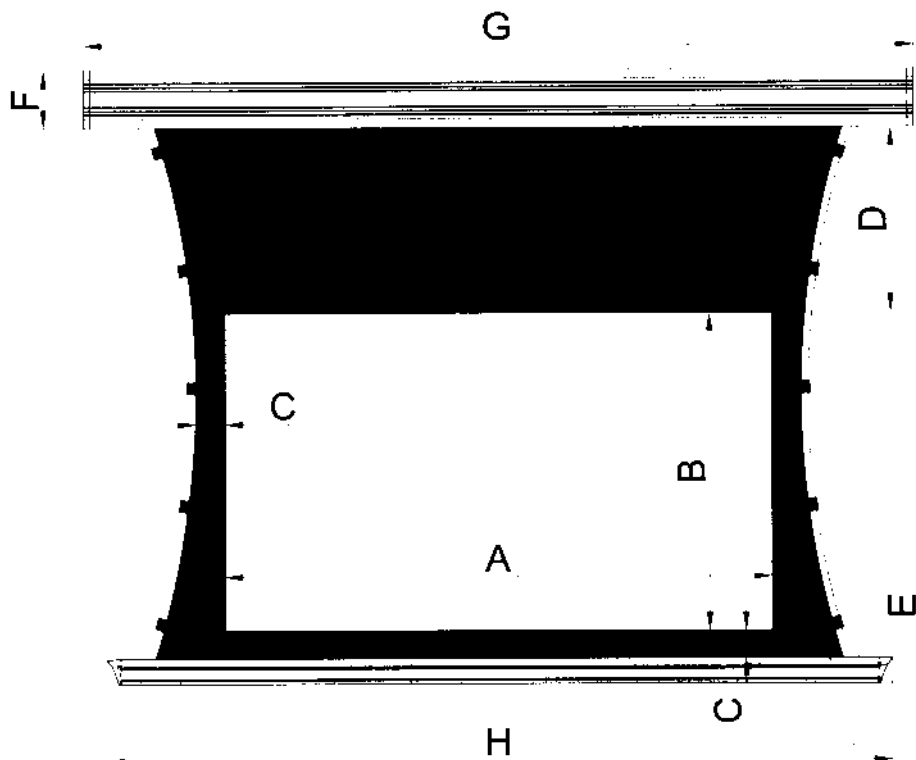


Dimensions



Unit: inch

Format	Diagonal (inch)	A	B	C	D	E	F	G	H
VIDEO FORMAT (4:3)	84 "	67.20	50.40	1.97	12.01	1.69	3.78	86.18	83.18
	100 "	80.00	60.00	1.97	12.01	1.69	3.78	98.98	95.98
	120 "	92.06	69.05	1.97	12.01	1.69	3.78	111.04	108.05
	135 "	104.06	78.05	1.97	12.01	1.69	3.78	123.04	120.05
	150 "	116.06	87.05	1.97	12.01	1.69	3.78	135.04	132.05
	180 "	140.06	105.05	1.97	12.01	1.69	3.78	159.04	156.05
HDTV FORMAT (16:9)	84 "	73.21	41.18	1.97	12.01	1.69	3.78	92.19	89.20
	92 "	80.18	45.10	1.97	12.01	1.69	3.78	99.16	96.17
	100 "	87.16	49.03	1.97	12.01	1.69	3.78	106.13	103.14
	106 "	92.39	51.97	1.97	12.01	1.69	3.78	111.36	108.37
	120 "	104.59	58.83	1.97	18.90	1.69	3.78	123.57	120.57
	135 "	117.66	66.19	1.97	18.90	1.69	3.78	136.64	133.65
	150 "	130.74	73.54	1.97	18.90	1.69	3.78	149.71	146.72

SAFETY GUIDE:

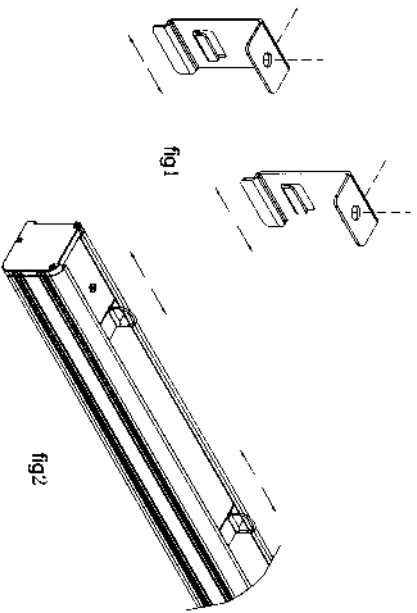
1. When assembling, it is forbidden to stand in right under the screen to avoid any hazard. Explosive bolt should be firmly punched and fixed into the wall or ceiling.
2. Be sure the ground wire is connected with power cable effectively to avoid electric shock
3. When use the laser pointer function on remote control, please be sure not to point to people directly to avoid any hurt.
4. The fabric essential component is PVC, please do not approach the high temperature object, in order to avoid fabric permanent deformation.

SPECIFICATION:

1. Waterline aluminum casing and dustproof design.
2. Precise micro adjusts control system, advanced design and convenient adjustment.
3. Special laser pointer function.
4. Wire control function and inside control circuit plate with remote control function
5. Preset central control connector (include DC AC)
6. Unique assembling methods, adjustable fixing brackets suitable for both wall mounting and ceiling hung.

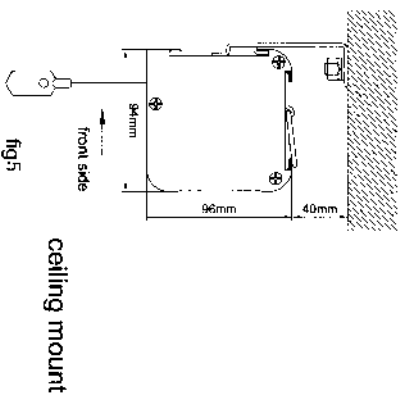
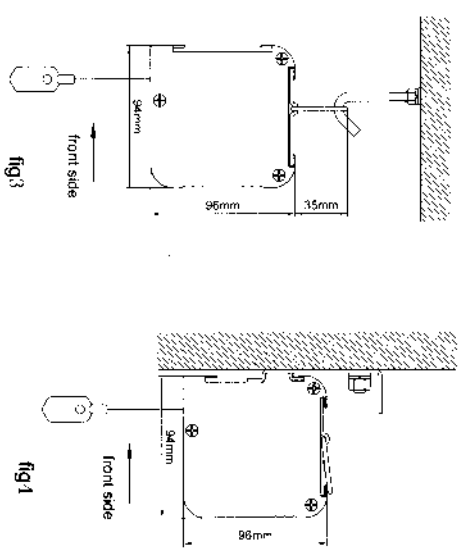
ASSEMBLING:

1. Please open the carton and check accessories according to the list.
2. Adjust the position between the two plates:
 - ① wall mounting and ceiling mount please refer fig1
 - ② ceiling hung pleaser refer fig2



Note: please keep the screen case and the position of plates in horizontal when assembling.

SUGGESTED ASSEMBLING METHODS:



OPERATION:

----- Switch Control

1. Connect the power on
2. Use the switch on the switch case to run the screen down-up-stop.
3. After usage, please draw back the screen fabric into the case to keep clean.

----- Remote control

1. Connect the power on
2. Press the buttons on the remote control to run the screen down-up-stop
3. After usage, please draw back the screen fabric into the case to keep clean.

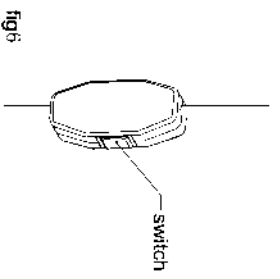
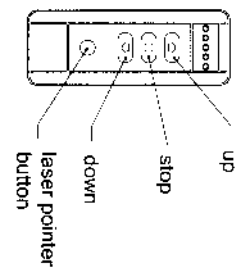


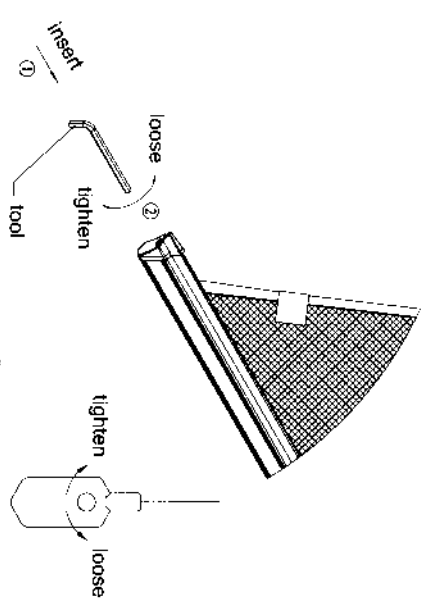
fig 6



remote control
(battery no: 23A 12V)

fig 7

ADJUST TENSION



FABRIC ADJUSTING:

Fabric is always on the right position before out of factory. While there provide the micro adjusting function when fabric occur great deviation. Please use a screw knife of 3mm diameter or other enclosed tool to insert into the hole on the right bottom of case for adjusting

Remark: please insert the tool as the fig 10 showed angle.

1. Adjusting for up limited position (fabric drawing back stage)
When the fabric in the stage of drawing back and the bottom shaft is not in right place, please operate as the up limited position drawing, turn as "+" direction, the fabric will descend; turn as "-" direction, the fabric will rise.

2. Adjusting for bottom limited position (fabric completely open up)
When the fabric completely open up, while the top black border is not in right place. Please operate as the bottom limited position drawing, turn as "+" direction, the fabric will descend; turn as "-" direction, the fabric will rise.

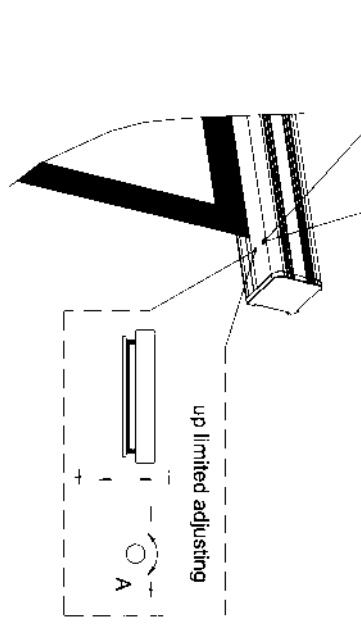
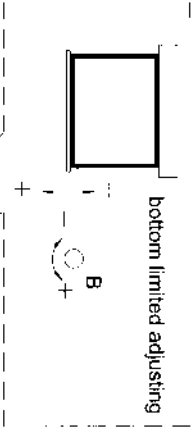


fig 9

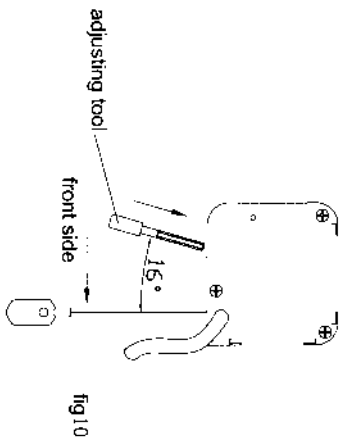


fig 10

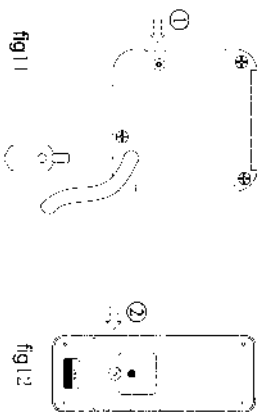
PARTS CHANGE

Change circuit plate

Open the right end cover, take off the bolt and then draw out the terminal and insert it into the correspond sockets of new circuit plate. If it is the radio frequency control, please do learn cord operation from the old controller.

----- Change remote controller
 If it is the radio frequency control, please do learn cord operation from the old circuit plate

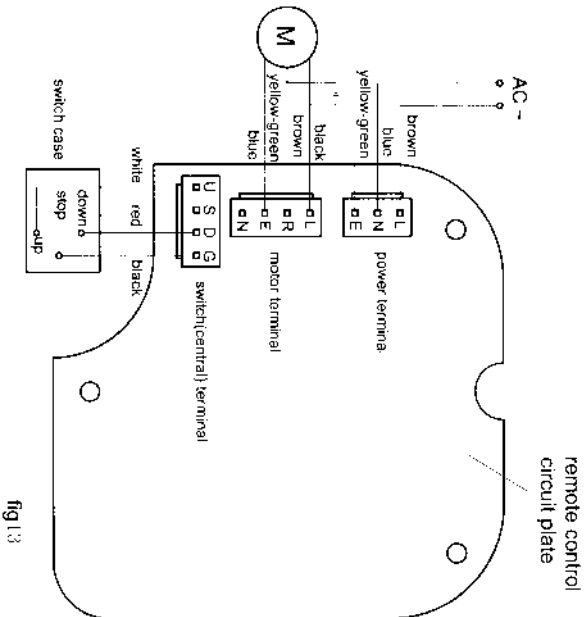
-----The learn cord operation as follows(fig 11, 12):



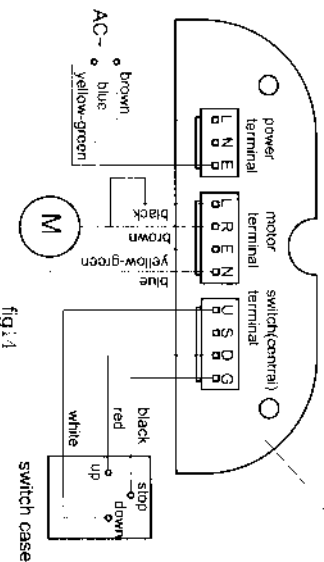
- ① press the small button in left bottom hole of right end cover
 - ② and then press the red button in the back cover of new remote controller
- Infrared remote control do not need such operation.

CONTROL CIRCUIT DIAGRAM

-----Remote control circuit diagram



----- Switch control circuit diagram
 switch control circuit plate



HOW TO CONNECT CENTRAL CONTROLLING SYSTEM (AMX)

-----AC central control system (as fig 15)

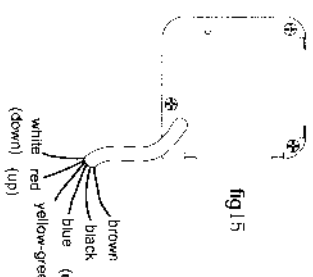
- blue - - -neutral wire
- yellow-green - - -ground wire
- white - - -down
- red - - -up

⚠ If the screen with remote control function, please do not connect with the central control system directly, otherwise it will burn up the remote control circuit plate, even lead to fire hazard. Please use the switch control circuit plate to replace the remote control circuit plate. See as fig 13 & fig 14

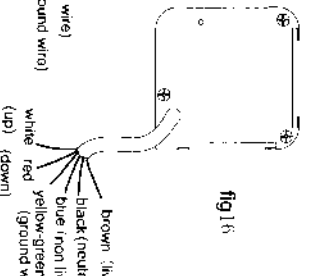
-----DC central control system (as fig 16)

- switch control wire:
- white - - -up
- red - - -down
- black - - -neutral wire
- blue - - -non live wire
- brown - - -live wire
- yellow-green - - -ground wire

AC central circuit connection



DC central circuit connection



FABRIC CLEANING:

- 1. Matte white washable by soft soap and warm water, please do not use alcohol or ether liquid to wash, thus will damage the fabric.
- 2. Rear projection fabric: clean method same to that of matte white
- 3. Front projection fabric: clean method same to that of matte white

TROUBLESHOOTING:

Phenomenon	*Check parts reason	Processing method
Remote control malfunction	*Check if the battery power off	Replace battery
Motor not run	*Motor broke up	Change motor
Fabric rolling reversal	*A little rolling reversal	Adjust according to the chapter of "adjusting"

(If there are any other malfunction, please consult your local approval agent)

REMARK:

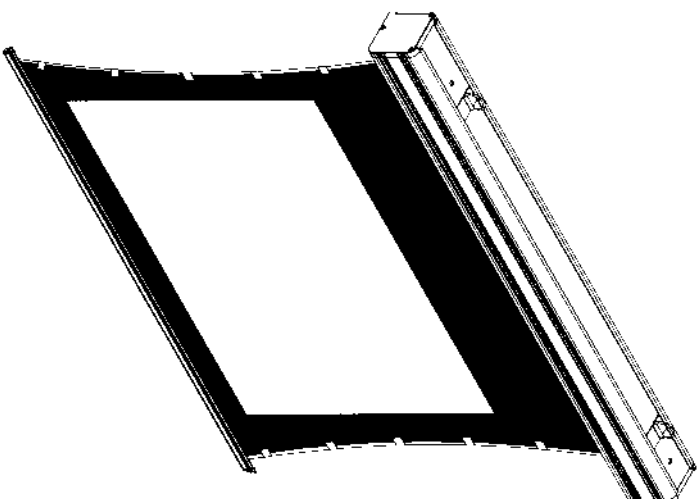
- 1. Please do not run the screen continuously above 5 minutes to avoid the motor damaged due to overheating; when next operation please wait the motor cool down.
- 2. Do not scratch or fold up the fabric
- 3. After usage, please check again there are no other foreign objectives on the screen surface and then draw back the fabric into the case.
- 4. Net picture area will change with the environmental temperature changes, it is a normal phenomenon.

ATTACHMENTS:

- 1. Remote control (optional) 1
- 2. switch circuit control plate (optional) 1
(for AC central control)
- 3. Assembling plate 2
- 4. Adjusting tool 1
- 5. tool 1

Please always follow the instruction on user's manual in assembling and usage.

USER'S MANUAL FOR TENSIONED SCREEN



FocuPix