

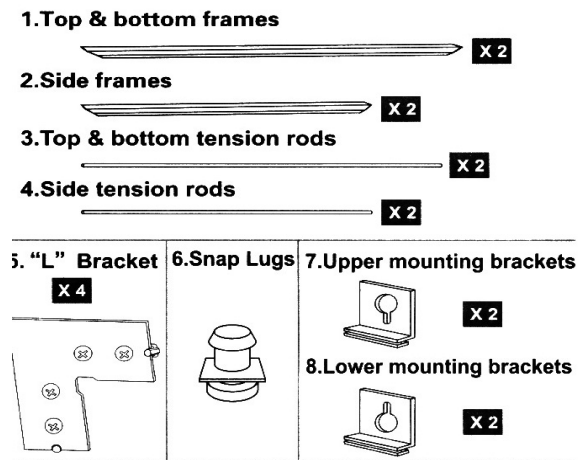
Installation Manual

Fixed Frame Screen

Step 1: BEFORE YOU BEGIN:

1. Make sure you have all the parts in the list. If there are any parts missing, please contact manufacturer or your seller.
2. Unpack all parts and the screen on a flat, clean surface that has been covered with a clean, soft cloth. Leave the screen packed around its tube until you are ready to install it.
3. Wash hands before unpacking the screen, and do not touch the screen surface during installation.
4. A stud finder, a level, a drill with a 3/16" bit, and a Phillips screwdriver are needed.
5. A second person will be required to assist installing the fabric and hanging the screen.

PARTS LIST:



1. Slide the snap lugs (Part-6) into all the frame sections (Part-1&2), nearest to where the fabric will go (see Fig.1). There are red arrows to indicate the number and position of the Snap Lugs for each frame piece (Part-1&2).
2. Line the Snap Lugs up next to each arrow. Don't worry if they move slightly as you assemble the rest of the screen. The Snap Lugs can be adjusted again when you install the screen fabric.

Fig.1A

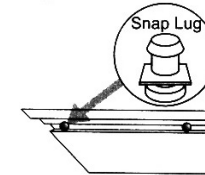
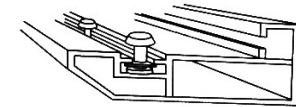


Fig.1B



3. There are two upper mounting brackets(Part-7) and two lower mounting brackets(Part-8) need to be inserted into the top and bottom frame pieces before you secure the side frames(Part-4). Insert the brackets into the top and bottom frame sections(See Fig.2)

Fig.2A

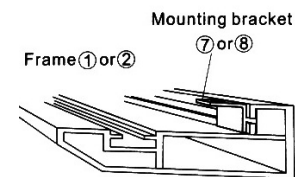
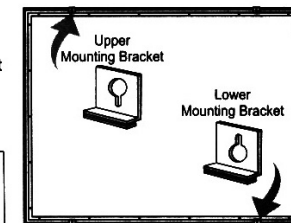


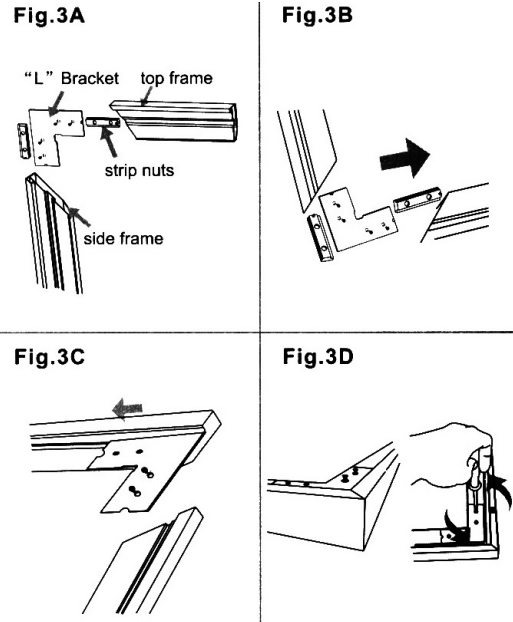
Fig.2B



4. Lay the bottom, top and side frames face down on the table. Insert the L-brackets (Part-5) into the channel at one side of the top frame; insert the other side of the same L-bracket into the channel at the top of one of the side frames. (See Fig.3). Slide both the top and the side together so that they meet at the corner, and they are at 90° to each other. Tighten the screws

Step 2: ASSEMBLING THE FRAME

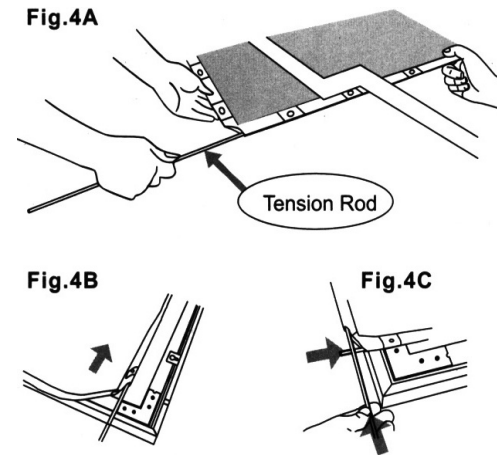
at each end of the L-bracket until the joint is secure.



- Repeat step 3 with the other 3 corners. When all four corners are complete, turn the entire frame over, and ensure that all joints are tight and fit closely. If they are not, loosen the L-bracket screws and re-align the corner before tightening the screws again. All corners must be at 90° .

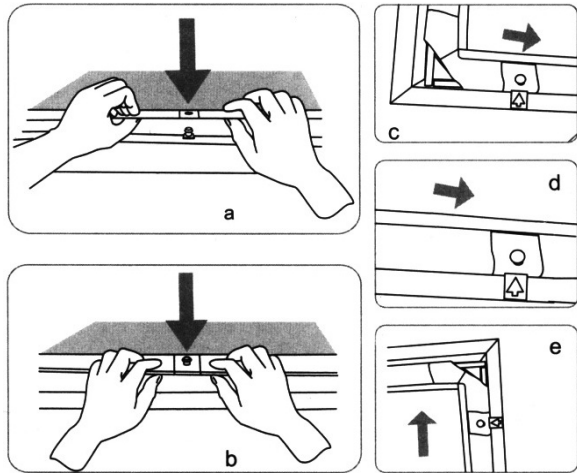
Step 3: INSTALLING THE FABRIC

- Unwind the screen fabric from the tube carefully, with the surface facing down on a flat, covered surface. The back of the screen has a stitched seam.
- Using the tension bars (Part-3&4) that can be found in the center of the screen tube, insert the long tension bars (Part-3) into the seams at the top and bottom of the screen, and the short tension bars (Part-4) into the seams at the sides of the screen. These seam pockets are on the back of the screen outside the holes for fixing the screen to the frame. (see Fig.4)



- Two people will be needed for this step: one to hold the frame, and another to attach the fabric.
- Make certain that all of the snap lugs in the frame pieces (Part-1&2) are aligned with the red arrows.
- Beginning with the top of the screen, push the top tension bar up until the center hole in the fabric fits over the center snap lug. (See Fig.5) Repeat this process: the top, then the side, and finally the bottom.
- The screen should now be perfectly flat and is ready to hang on the wall.

Fig.5



3. Using a level, draw two straight lines on the wall, (one along the top and one along the bottom).
4. Drill holes in the studs, install screws in these holes.
5. Align the hanging brackets in the screen's top frame, so that they will line up with the installed screws. Repeat this process for the bottom frame.
6. With the help of another person, hang the screen on the wall by fitting the hanging brackets (8&9) over the installed screws.(See Fig 6).

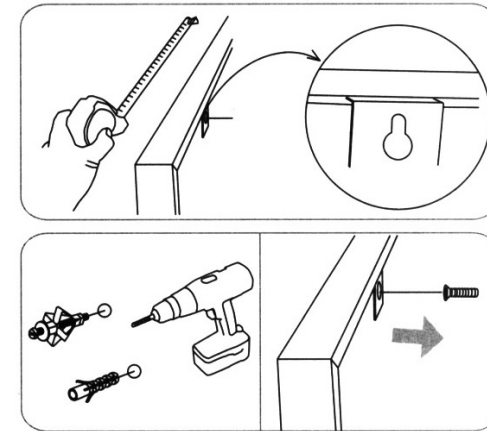
Step 4: AFTER FABRIC IS INSTALLED

1. Once the tension rods are seated behind all the snap lugs, take a moment to ensure that the screen material is flat and wrinkle-free, both front and back. Some very small wrinkles or fold lines may exist at first. These are due to packaging, and should disappear in a few hours.
2. Check the corners for any positioning errors.
3. If, after several hours, there are still wrinkles and/or positioning issues, simply lay the screen face down and adjust accordingly.

Step 5: INSTALLING THE SCREEN ON THE WALL

1. **WARNING:** Choose a screen location that will NOT interfere with wall sockets, switches etc.
2. Using a stud finder, locate at least two studs where you can install screws to hold the screen. The mounting points should be far enough apart to provide roughly equal support along the top of the frame.

Fig.6



Step 6: CARE AND CLEANING

1. Clean your new screen with a soft cloth using mild soap and water. **DO NOT** use harsh detergents, chemicals, or cleaning agents to clean the screen, as severe damage to the screen and/or frame coating will result.
2. If the felt covering on the frame gets dusty or covered with lint, use a household vacuum cleaner with a brush or furniture cleaning attachment to clean the felt. Do not use excessive amounts of water.