

Focupix

Operating Instruction



①

Place the projection screen on the ground with the handle facing up.

Adjust the tripod legs by fully opening them and make sure the legs are pushed away from the handle, unclipping them.



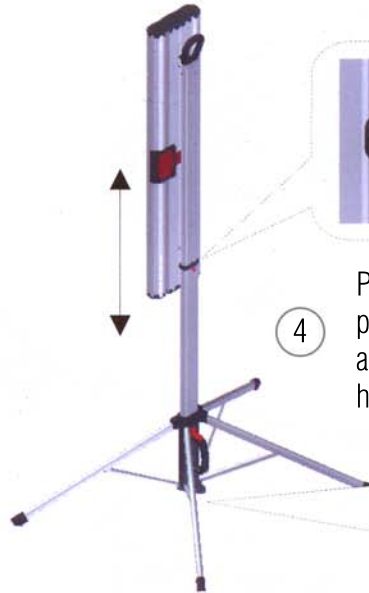
②

Lift Projector by top handle then push down the lower handle so that the legs on the screen open up all the way.



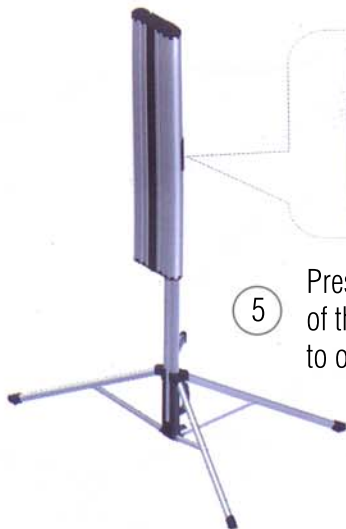
③

Make sure that you push the handle as far as you can to make your screen stable



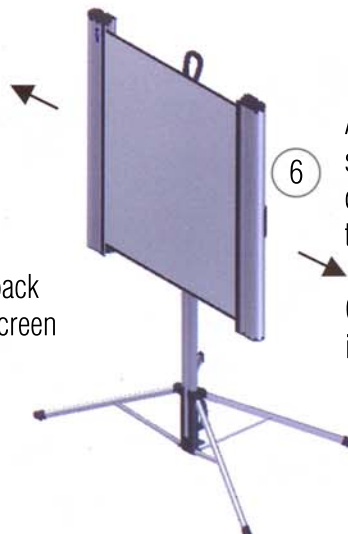
④

Place your foot on the foot pedal and pull the silver knob. Then you will be able to pull the top handle to adjust the height of your screen.



⑤

Press the black button on the back of the case and pull open the screen to open the screen.



⑥

Adjust the screen by pulling slowly outwards on the end casings, expanding the screen to your desired aspect ratio.

Clicking into place, they are in order: 1:1, 4:3, 16:9, 16:10